



Product manual

Constant air volume damper

KVR

Airflow regulation

Version 1.0.3
Date: 14.12.2021

KVR

- For maintaining constant air volume in ventilation systems, without additional power supply
- Made of fire retardant plastics
- Covers an air flow range between 15 up to 700 m³/h within a pressure range from 50 up to 200 Pa
- Air flow can easily be adjusted within the airflow range of each damper
- Maximum working temperature 60 °C
- Fire retardant plastics classified M1
- Body, valve and piston made out of fire retardant plastics M1
- Stainless steel calibrated spring
- Rubber air-tight sealing

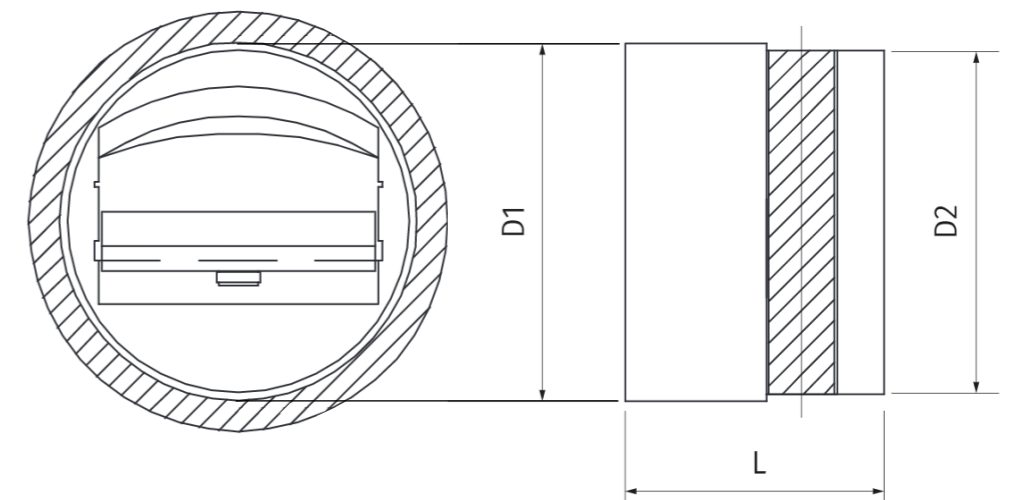


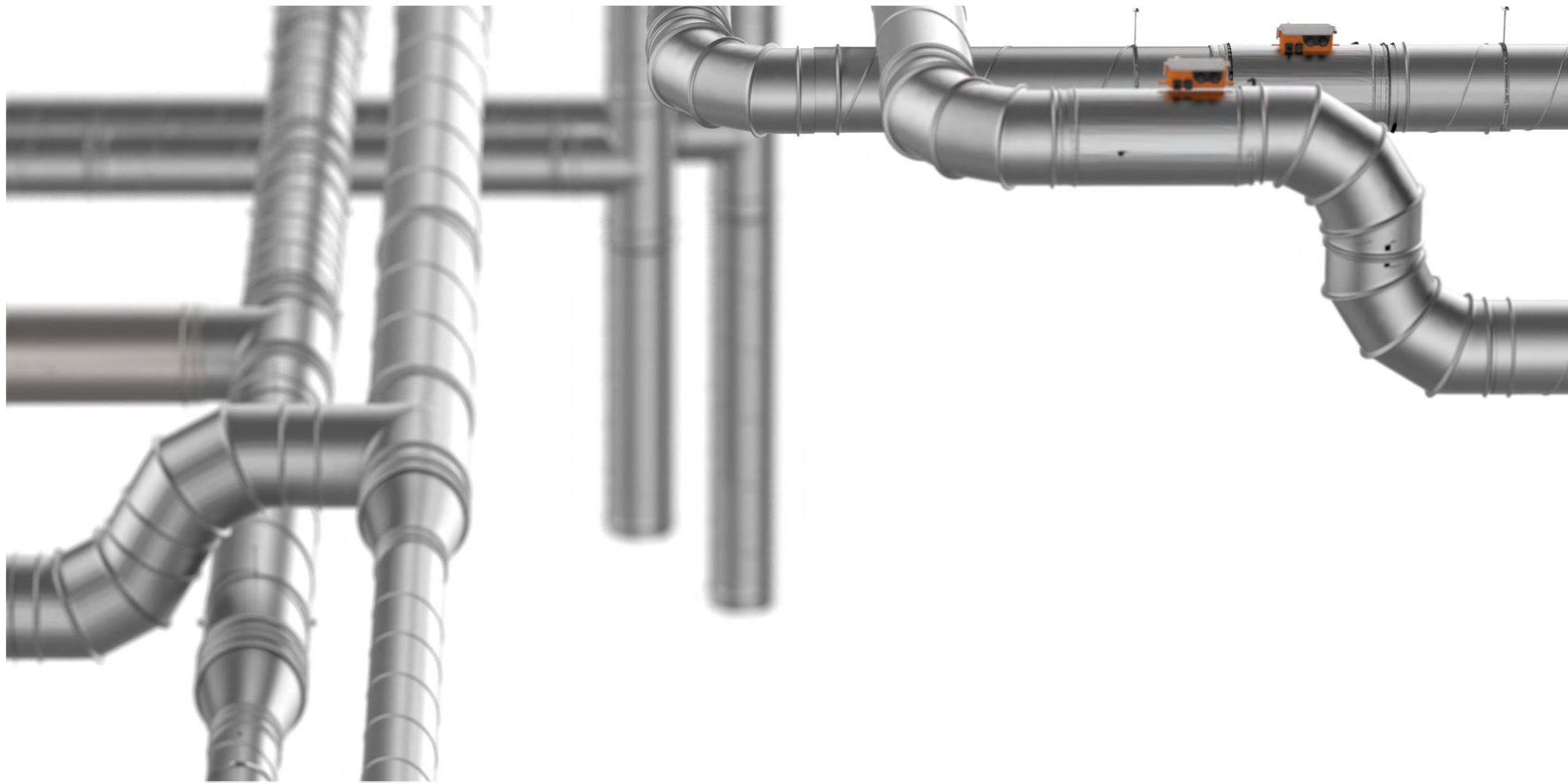
- ▼ [Product overview](#)
- ▼ [Ordering key](#)
- ▼ [Installation](#)
- ▼ [Diagrams](#)
- ▼ [Maintenance](#)








DIMENSIONS

Ø	D1 [mm]	D2[mm]	L[mm]
80	76	73	55
100	96	93	70
125	120	117	89
150	146	148	91
160	146	148	91
200	190	195	91
250	245	236	127





-  [Product overview](#)
-  [Ordering key](#)
-  [Installation](#)
-  [Diagrams](#)
-  [Maintenance](#)

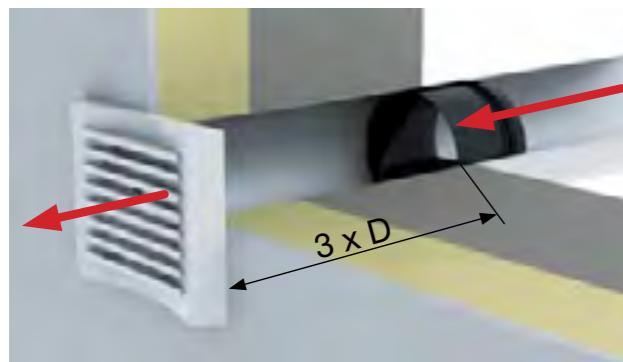
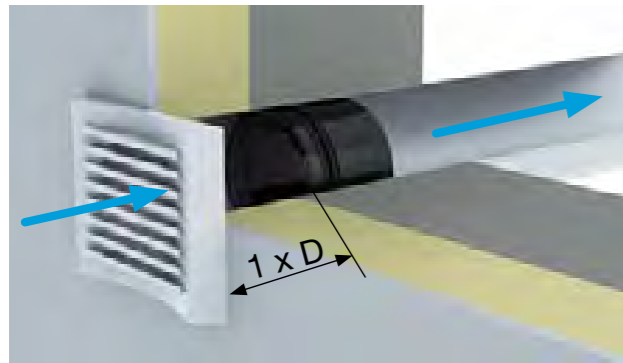
ORDERING KEY (1) Constant flow regulator (2) Diameter Ø

KVR - 200

(1) KVR

(2) Diameter: **80, 100, 125, 150, 160, 200, 250**

Installation process



- To be inserted inside round ducts
- For horizontal or vertical mounting
- When horizontally mounted the marking "BAS" must be horizontal
- To be placed according to the marked airflow direction
- To be placed in air supply at a minimum distance of 3x the duct diameter from air supply grilles and at the same distance close to areas with high turbulence like duct connections, bends,...
- To be placed in air exhaust at a minimum distance of 1x the duct diameter from air exhaust grilles and at the same distance close to areas with high turbulence like duct connections, bends,...
- The flow regulator must be accessible to allow maintenance.
- Required length of straight section before regulator is $L > 3d$. If $L < 3d$, a 10% error in regulation occurs so that kind of installation is not advisable
- Pay attention to airflow direction marking on the regulator. If not correctly installed, regulator will not work
- Maintenance is not required

- ▼ [Product overview](#)
- ▼ [Ordering key](#)
- ▼ [Installation](#)
- ▼ [Diagrams](#)
- ▼ [Maintenance](#)



INSTALLATION

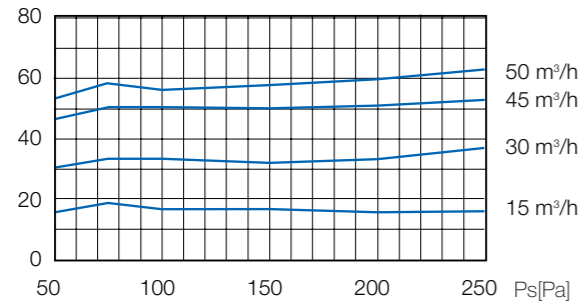
Pressure drop and sound power levels

Qv	Lw			
	50 Pa	100 Pa	150 Pa	200 Pa
15	25	29	32	35
25	26	30	33	36
30	26	31	35	38
45	27	33	36	39
50	29	35	37	41
60	32	37	39	42
75	32	37	40	42
90	32	38	41	44
100	33	39	42	45
120	30	34	39	42
150	33	37	41	45
180	34	40	44	47
210	34	40	42	44
240	35	41	44	47
270	37	43	45	49
300	33	37	42	45
350	35	40	44	47
400	37	42	45	50
450	38	44	46	51
500	39	46	48	53

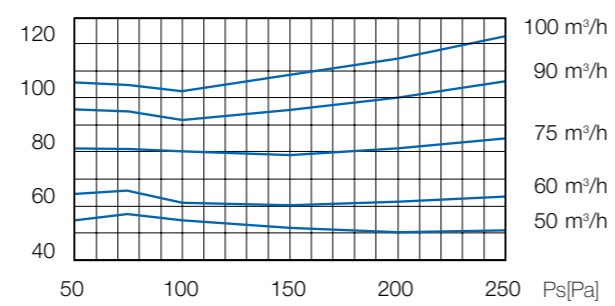
- [Product overview](#)
- [Ordering key](#)
- [Installation](#)
- [Diagrams](#)
- [Maintenance](#)

Selection diagrams

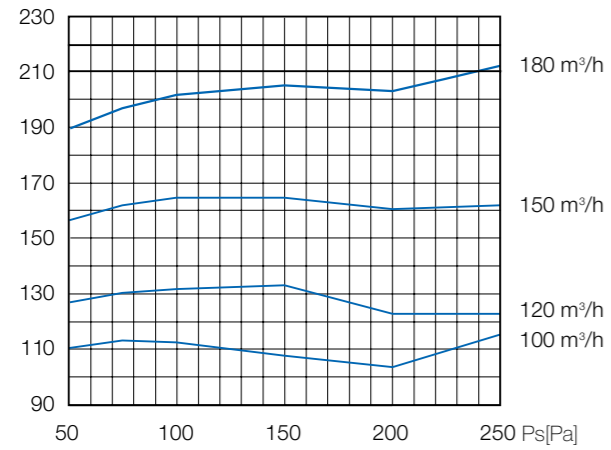
Q[m³/h] Ø80, Ø100, Ø125, 15-50m³/h



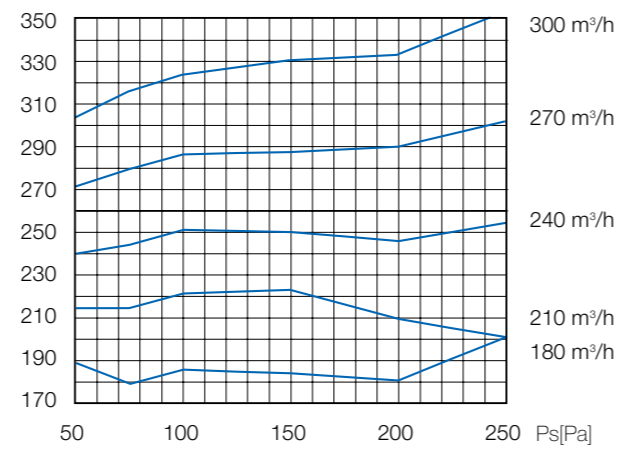
Q[m³/h] Ø100, Ø125, Ø150, Ø160 50-100m³/h



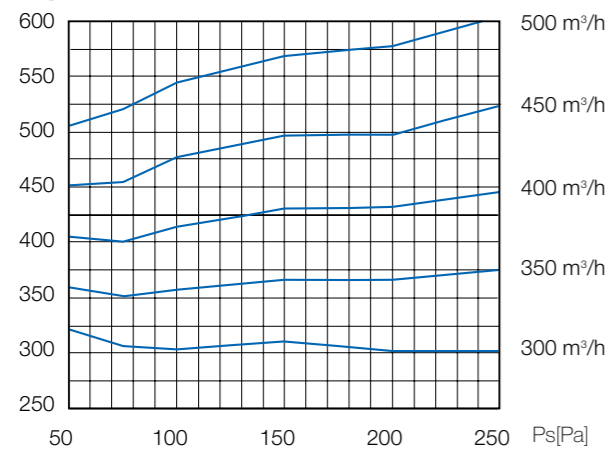
Q[m³/h] Ø125, Ø150, Ø160, Ø200 100-180m³/h



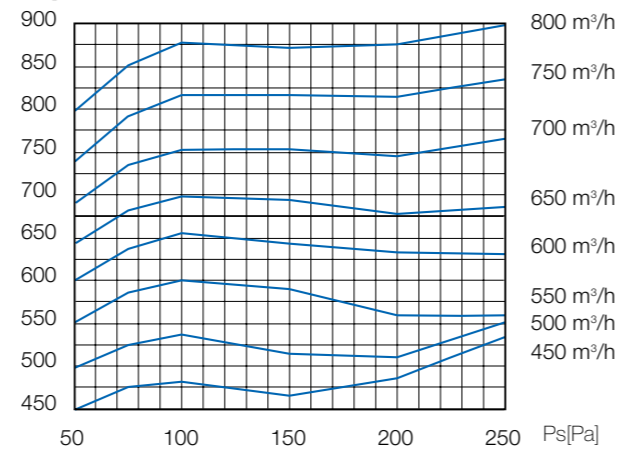
Q[m³/h] Ø150, Ø160, Ø200, Ø250 180-300m³/h



Q[m³/h] Ø200, Ø250 300-500m³/h



Q[m³/h] Ø250 450-750m³/h



- ▼ [Product overview](#)
- ▼ [Ordering key](#)
- ▼ [Installation](#)
- ▼ [Diagrams](#)
- ▼ [Maintenance](#)



DIAGRAMS



- ▼ [Product overview](#)
- ▼ [Ordering key](#)
- ▼ [Installation](#)
- ▼ [Diagrams](#)
- ▼ [Maintenance](#)



TRANSPORT

After arrival, check the damper for transport damage and shortcomings. In case of any damage or shortcomings, immediately contact your supplier.

STORAGE

If the damper is not installed immediately:

- Remove any wrapping.
- Protect damper from dust and contamination.
- Do not expose the product to the effects of weather - store fire damper in a dry place.
- Do not store the unit below -20 °C or above 50 °C.

Please properly dispose of packaging material!

MAINTENANCE AND OPERATION

Activation mechanism should be inspected for proper operation on regular basis.

- Provide at least one annual check of the damper
- After each intervention, provide a systematic cleaning of dust
- Cleaning instruction: clean with a sponge, with water or a mild detergent
- Disinfection instruction: spray disinfectant (disinfectant may contain alcohol which is flammable, take precaution to avoid ignition)

It is not permitted to alter the dampers in any way nor perform any changes to their structure without the manufacturer's consent. The functional test must be carried out in compliance with the basic maintenance principles of the European norms.

COMMISSIONING

- Carefully unpack KVR - be careful of sharp edges and do not use excessive force for unpacking
- Inspect the product - check the damper for damage
- Before commissioning: check the product functions



AIRFLOW REGULATION

Projektiranje, proizvodnja i održavanje opreme za klimatizaciju, ventilaciju i čiste prostore.
Design, production and service of Ventilation, Air-Conditioning and Cleanroom equipment.

-  Gradna 78A, 10430 Samobor, Croatia
-  +385 (0)1 33 62 513
-  info@klimaoprema.com
-  www.klimaoprema.com